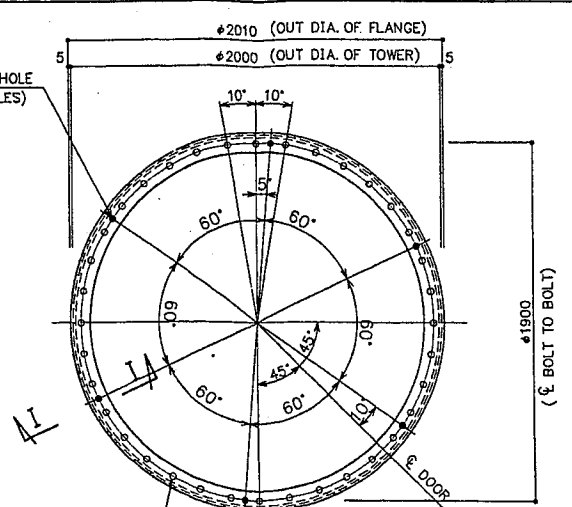
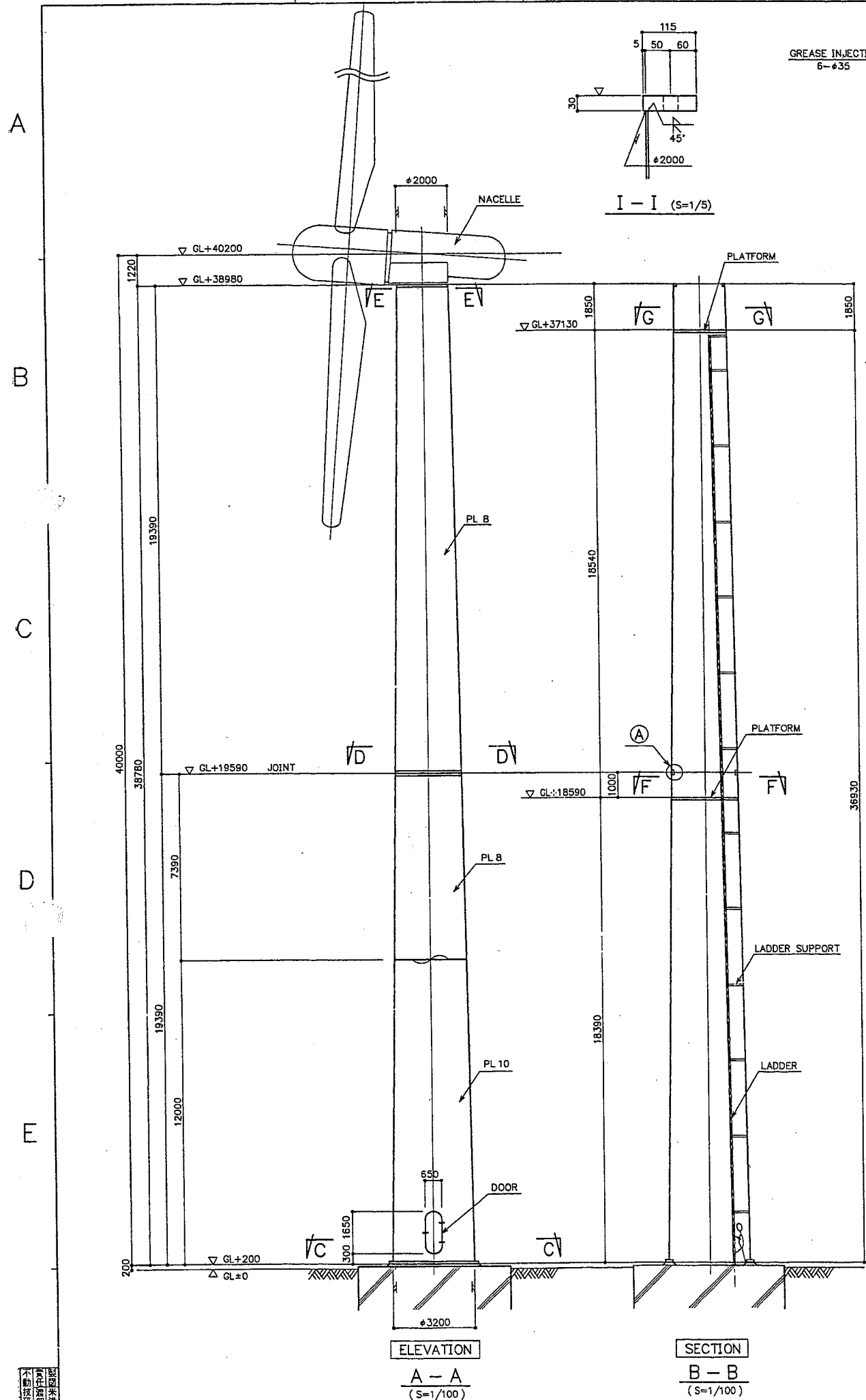


REVISIONS				ZONE	APPROVED	CHECKED
NO.	DESCRIPTION	DATE				

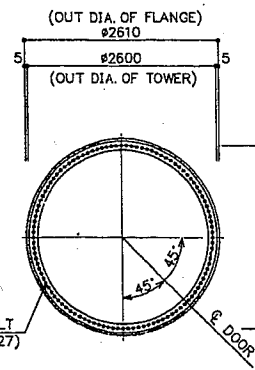
PLAN RECORD
ISO METRIC SCREW THREADS
PREVIOUS DRAWING NO.

NOTES
1. MATERIAL
TOWER ASTM A36
H. S. BOLT ASTM A325
ANCHOR BOLT ASTM A490



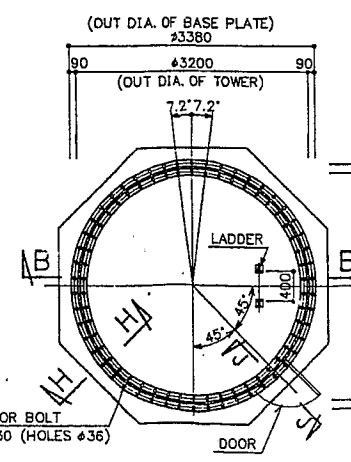
I - I (S=1/5)
 HIGH STRENGTH BOLT
 36-M30 (HOLES #35)
 (BY OTHERS ONLY FOR
 TOP FLANGE BOLTS)
 GL + 38980

E - E (S=1/20)
 GL + 38980



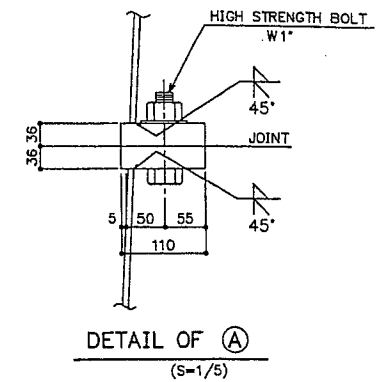
D - D (S=1/50)
 GL + 19590

HIGH STRENGTH BOLT
 108-W1" (HOLES #27)

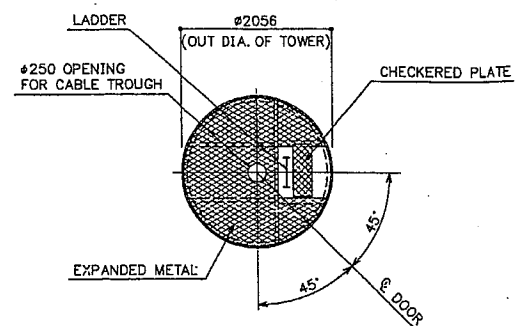


C - C (S=1/50)
 GL + 200

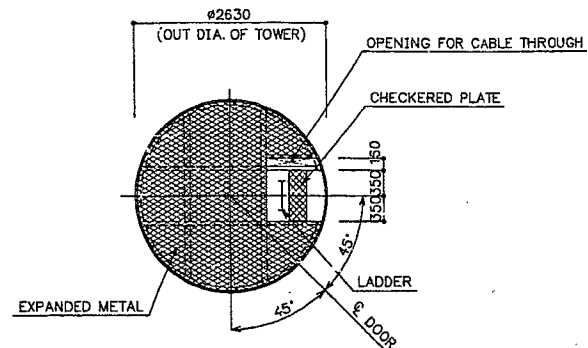
ANCHOR BOLT
 100 - M30 (HOLES #36)



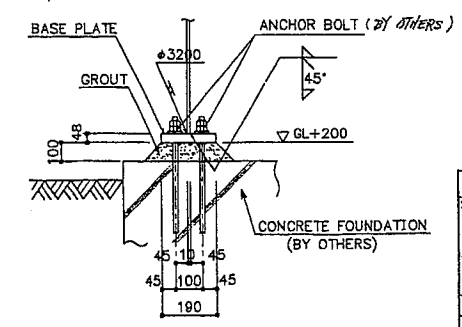
DETAIL OF A
 (S=1/5)



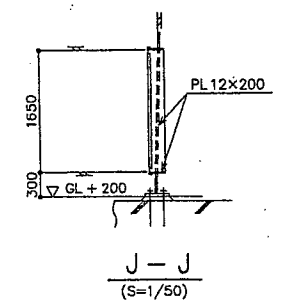
G - G (S=1/50)
 GL + 37130



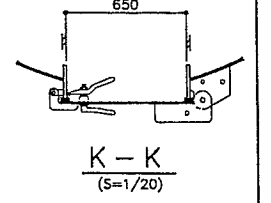
F - F (S=1/50)
 GL + 18590



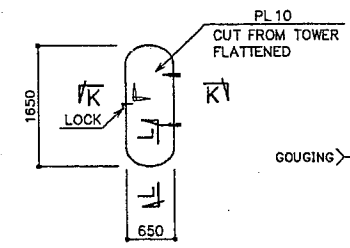
H - H
 (S=1/20)



J - J
 (S=1/50)



K - K
 (S=1/20)



L - L
 (S=1/10)

DETAIL OF DOOR
 (S=1/50)

FOR FABRICATION

HYD. TEST PRESS.	CIVIL ENGINEERING SECT.	Villa do Bispo Project / Portugal
SHOP	POWER PLANT CONSTN. DEPT.	
AT SITE	APPROVED	MWT-450 / (500)
CONFERRD	CHECKED	GENERAL PLAN OF TUBULAR TOWER
ORDER	DRAWN	(2 SEGMENTS TOWER)
04073	SCALE 1/100, 1/50, 1/20	
	3rd-ANGLE PROJECTION (三角法)	DRAWING NO. 71260-0052
		MITSUBISHI HEAVY INDUSTRIES, LTD.
		NAGASAKI SHIPYARD & MACHINERY WORKS

DRAWING NO. 71260-0052 RY1