



Vestas

RRB V27 & V29

200kW or 225kW

**Vestas RRB V27 & V29
225kW or 200kW Wind Turbines**

BRAND NEW!

Proven Vestas Technology

- **Full Turnkey Solution Available!**
- **Also available as 200kW version!**
- **Shipping Arranged**
- **Door to Door Delivery**
- **Full Installation Service**
- **O&M Service**
- **Extended Warranty up to 5 years**

Call today for your quote!

+44 (0) 77 75 75 2861

The Only Choice

In its Class!



MyWindPowerSystem Ltd.

1 Old Court Mews
311 Chase Road
London N14 6JS
United Kingdom

Tel.: +44 (0) 77 75 75 2861
email: sales@mwps.co.uk

www.mwps.co.uk



**Full Turnkey Solutions!
Best Prices!**

www.mwps.co.uk

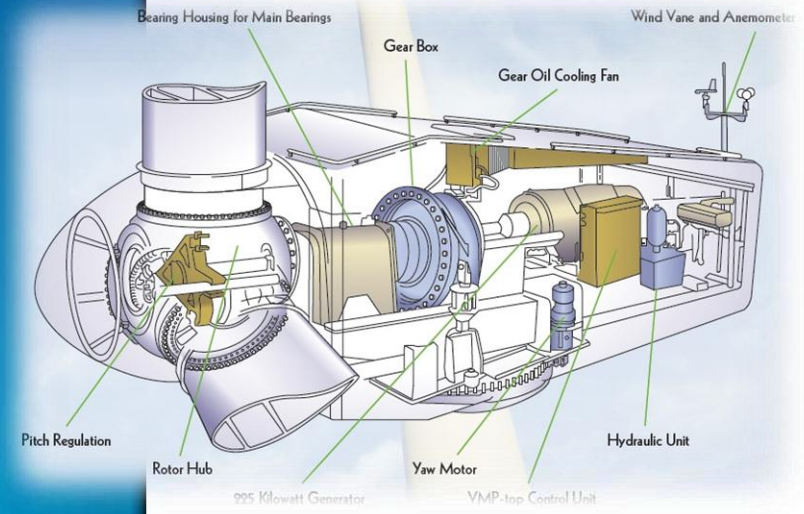
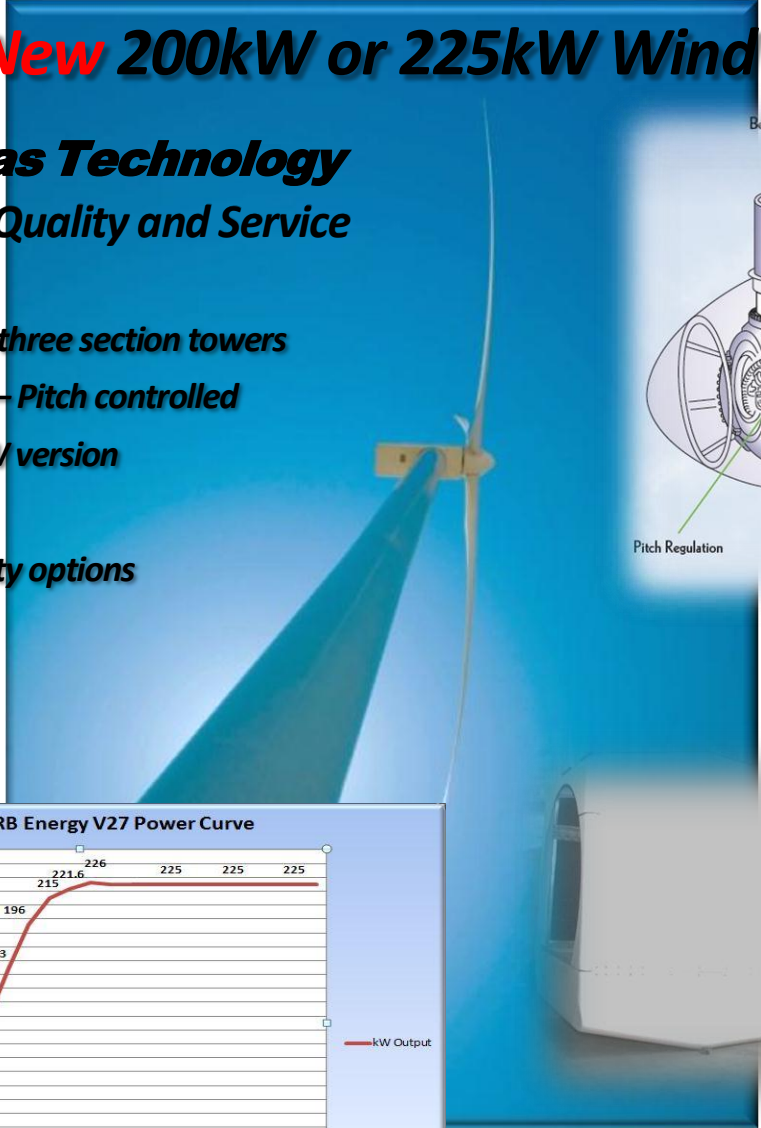
Vestas RRB V27 & V29



Brand New 200kW or 225kW Wind Turbines

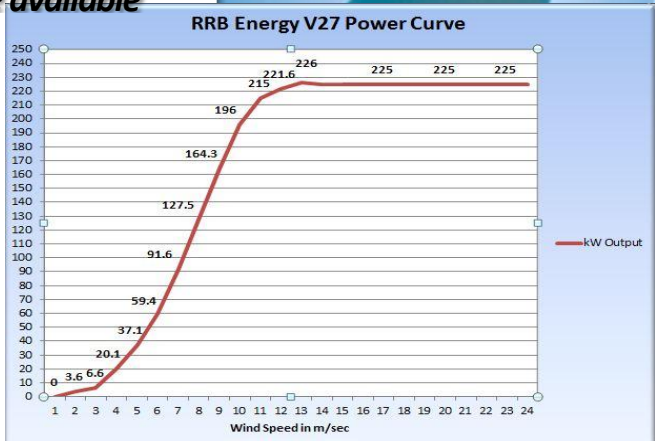
Proven Vestas Technology
Highest Levels of Quality and Service

- ✓ 28m – 31m – 41m & 46m - 3 three section towers
- ✓ 27m & 29m Rotor Diameter – Pitch controlled
- ✓ Now also available as 200kW version
- ✓ Incl. 1 year warranty
- ✓ 2 – 5 years extended warranty options
- ✓ Shipping service available
- ✓ Door To Door Delivery
- ✓ Installation service available
- ✓ O & M Service available



TECHNICAL SPECIFICATIONS:

- Model:** 3 Blades Horizontal Axis, Upwind
- Rated Power:** 225kW
- Type:** Dual Wound Asynchronous
- Power Regulation:** Pitch
- Frequency:** 50HZ
- Voltage:** 400 V
- Cut in Wind Speed:** 3.5 m/s
- Cut out Wind Speed:** 25 m/s
- Nominal Wind Speed:** 14 m/s
- Survival Wind Speed:** 56 m/s
- Rotor Diameter:** 27 m or 29m
- Rotor RPM:** 33 rpm / 43 rpm
- Swept Area:** 573 m²
- Blade Material:** Fiber glass / reinforced polyester
- Main Brake System:** Disc
- Secondary Safety:** Pitch control



1 Old Court Mews
 311 Chase Road
 London N14 6JS
 United Kingdom
 Tel.: +44 (0) 77 75 75 2861
 email: sales@mwps.co.uk

www.mwps.co.uk

Call today for your quote!
+44 (0) 77 75 75 2861